

MANUAL IDENTIFICATION

Model Number: 8445B

Date Printed: May 1973

Part Number: 08445-90103

This supplement contains important information for correcting manual errors and for adapting the manual to instruments containing improvements made after the printing of the manual.

To use this supplement:

Make all ERRATA corrections

Make all appropriate serial number related changes indicated in the tables below.

Serial Prefix or Number	Make Manual Changes	Serial Prefix or Number	Make Manual Changes
1318A	1	▶ 1404A00726 thru 1404A00920	1, 2, 3, 4
1326A	1, 2	▶ 1442A	1, 2, 3, 4, 5
1404A00456 thru 1404A00725	1, 2, 3		

▶ NEW ITEM

ERRATA

Page 1-2, Table 1-1:

Change "Digital Frequency Readout (Option 003)" as follows:

Resolution: 1 MHz

Accuracy: 0.01 to 1.0 GHz: ± 6 MHz

1.0 to 4.0 GHz: ± 8 MHz

4.0 to 18.0 GHz: $\pm 0.2\%$

Delete the Differential Input Resistance and Common Mode Rejection Ratio.

Page 3-11, Figure 3-8:

Delete S3.

Page 4-2, Paragraph 4-8:

Change step m. to: Adjust Preselector FREQ OFFSET to peak display signal.

Change step n. to: Connect a -30 dBm signal at 8 to 14 GHz and select the appropriate band (2+ or 3+).

Page 5-3, Paragraph 5-9:

Change the first sentence to: . . . , the A1 Predriver Assembly is checked and adjusted for an output voltage that tracks the tuned frequency of the Spectrum Analyzer.

Page 5-5, Paragraph 5-9 (step 15):

Change $n = 1^{+*}$ to $n = 1^{-*}$.

NOTE

Manual change supplements are revised as often as necessary to keep manuals as current and accurate as possible. Hewlett-Packard recommends that you periodically request the latest edition of this supplement. Free copies are available from all HP offices. When requesting copies quote the manual identification information from your supplement, or the model number and print date from the title page of the manual.

ERRATA (Cont'd)

Page 5-5, Paragraph 5-10:

Add to paragraph title: (Applies to instruments with Serial Prefix 1251A only.)

Page 5-6, Paragraph 5-10:

Add a sentence to step 3: Ground the negative terminal of the Power Supply with the shorting bar.

Page 5-9, Paragraph 5-11 (step 4):

Change to: Couple the negative terminal of the Power Supply to ground with the shorting bar. Adjust A3R7 to 0 ± 1 mVdc at A3TP3.

Page 8-19, Figure 8-8 (Service Sheet 4):

Delete the Test Point 2 which is to the left of R24 and R29. TP 2 is shown twice on this schematic.

Page 8-23, Figure 8-10 (Service Sheet 6):

Change the diagram as shown in the partial schematic of Figure 1.

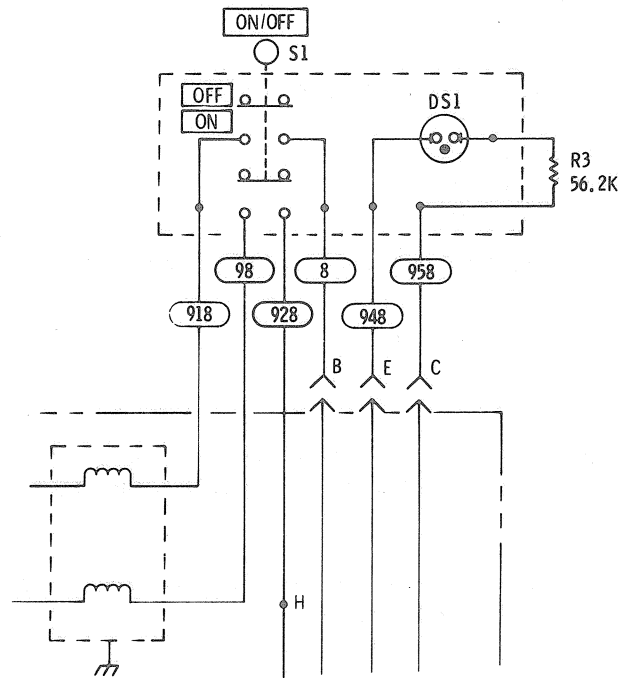


Figure 1. Partial Schematic of Figure 8-10

Page preceding the office list:

Add the warranty on the following page to the manual.



**CONDITIONS OF WARRANTY
FOR
YIG FILTERS**

Microwave YIG Filters are warranted to be free from manufacturing defects. The operating warranty will be 12 months unconditional from date of shipment from Hewlett-Packard. If a filter carrying this warranty fails and must be replaced, only the applicable remaining warranty of the first filter is transferred to the replacement filter, or 90 days, which ever is greater. The Hewlett-Packard Company will process warranty claims for customers on filters which were supplied by Hewlett-Packard for use in Hewlett-Packard instruments. The serial number of the filter and the serial number of the replacement filter must be noted on the warranty claim form.

"In Warranty" filters purchased from Hewlett-Packard must be returned immediately (not to exceed 30 days from date of failure) with a completed Warranty Claim Form, to your local Hewlett-Packard Sales and Service Office. Addresses are listed in the Instrument Manual. Be sure to pack the filter in accordance with the Packing Instructions listed on the Warranty Claim Form; warranty allowance cannot be made on damage due to improper packaging or showing evidence of tampering.

Instructions for filing a warranty claim are listed on the *"Microwave Tube Warranty Claim"* form which is included with the Operating and Service Manual for your instrument. This form is also included with replacement YIG filters supplied by Hewlett-Packard. Additional copies may be obtained from your local Hewlett-Packard Sales and Service Office. (Please ref: HP Stock No. 9320-1865.)

Hewlett-Packard specified replacement filters can be obtained from your local Hewlett-Packard Sales and Service Office.

CHANGE 1

Page 5-5, Paragraph 5-10:

Delete the Remote Amplifier Adjustment procedure.

Page 6-7, Table 6-2:

Add:

A2R33, 0698-3241, R:FXD FLM 250 OHM 0.25% 1/8W, 28480, 0698-3241.

A2R31 and R32, 0811-3007, R:FXD WW 10K OHM 0.01% 1/32W, 28480, 0811-3007.

A2R34 and R35, 0757-0442, R:FXD MET FLM 10K OHM 1% 1/8W, 28480, 0757-0422.

Delete A2R15, A2R20-23 and A2VR1-3.

Page 8-9, Figure 8-21 (Service Sheet 5):

Change the circuit diagram as shown in the partial schematic Figure 2.

CHANGE 2

Page 6-11, Table 6-2:

Delete TB1

Add TB2, 0360-1665, TERMINAL STRIP 28480, 0360-1665.

Page 8-19, Figure 8-8 (Service Sheet 4)

Add terminal strip TB2 as shown in partial schematic Figure 3.

CHANGE 3

Page 6-8, Table 6-2:

Change A3R6* to 0757-0398, R:FXD MET FLM 75 OHM 1% 1/8W, 28480, 0757-0398.

Page 6-9, Table 6-2:

Add A7A2MP1 and A7A2MP2, 2200-0768, SCREW: NYLON 4-40 UNC-2A .625 IN, 29480, 2200-0768.

Change CHASSIS PART B1 to 3160-0088, FAN: TUBE-AXIAL 115V/60 Hz, 28480, 3160-0088.

Page 8-19, Figure 8-8 (Service Sheet 4):

Change A3R6* to 75 Ohms.

▶CHANGE 4

Page 6-10, Table 6-2:

Change MP26 to 08445-00113, BRACKET: MOUNTING, DISPLAY (FOR OPT 003), RECOMMENDED REPLACEMENT FOR HP PART NOS. 08445-00110 AND 08445-00111.

Add MP36, 08445-20115, STANDOFF: CLAMPING (FOR OPT 003).

CHANGE 5

Page 6-4, Table 6-2:

Add A1C1 thru A1C4, 0180-0197, C:FXD 2.2 UF ±10% 20 VDC TA.

Page 6-5, Table 6-2:

Add A1C1 thru A1C4, 0180-0197, C:FXD 2.2 UF ±10% 20 VDC TA.

Page 6-6, Table 6-2:

Add A2C7, 0180-0197, C:FXD 2.2 UF ±10% 20 VDC TA.


Add A2C8, 0180-2141, C:FXD 3.3 UF ±10% 50 VDC TA.

CHANGE 5 (Cont'd)**Page 6-7, Table 6-2:**

Add A2R36, 0757-0416, R:FXD 511 OHM 1% 1/8 W.

Add A3C4, 0180-0197, C:FXD 2.2 UF $\pm 10\%$ 20 VDC TA.

Page 8-15, Figure 8-6, Service Sheet 3:


Add capacitor C1, 2.2 μF from A1U1 pin 4 to signal ground () . Show positive (+) side of capacitor connected to signal ground.

Add capacitor C2, 2.2 μF from A1U5 pin 7 to signal ground. Show positive (+) side of capacitor connected to pin 7.

Add capacitor C3, 2.2 μF from A1U5 pin 4 to signal ground. Show positive (+) side of capacitor connected to signal ground.

Add capacitor C4, 2.2 μF from A1U2 pin 7 to signal ground. Show positive (+) side of capacitor connected to pin 7.

Page 8-17, Figure 8-7, Service Sheet 3A:


Add capacitor C1, 2.2 μF from A1U3 pin 4 to signal ground () . Show positive (+) side of capacitor connected to signal ground.

Add capacitor C2, 2.2 μF from A1U6 pin 7 to signal ground. Show positive (+) side of capacitor connected to pin 7.


Add capacitor C3, 2.2 μF from A1U6 pin 4 to signal ground. Show positive (+) side of capacitor connected to signal ground.

Add capacitor C4, 2.2 μF from A1U4 pin 7 to signal ground. Show positive (+) side of capacitor connected to pin 7.

Page 8-19, Figure 8-8, Service Sheet 4:

Add capacitor C4, 2.2 μF from A3U1 pin 4 to signal ground () . Show positive (+) side of capacitor connected to signal ground.

Page 8-21, Figure 8-9, Service Sheet 5:

Add capacitor C7, 2.2 μF from A2U2 pin 7 to signal ground () . Show positive (+) side of capacitor connected to pin 7.

Page 8-23, Figure 8-10, Service Sheet 6:

Add A2R36 and A2C8 as shown in partial schematic Figure 4.

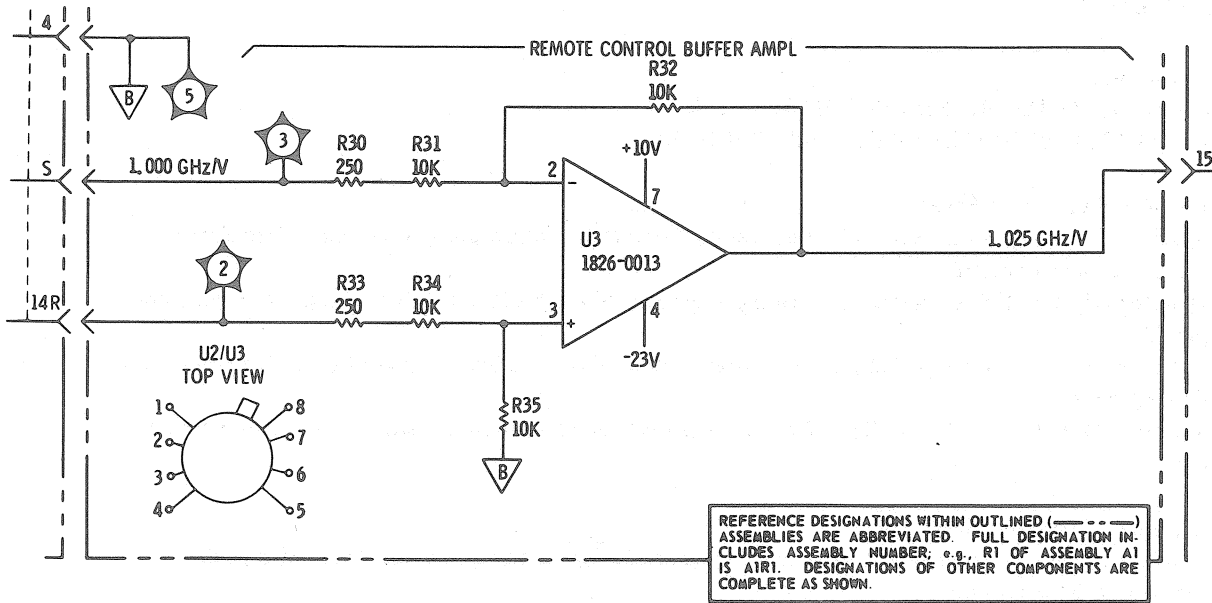


Figure 2. Partial Schematic of Figure 8-9. (P/O Change 1)

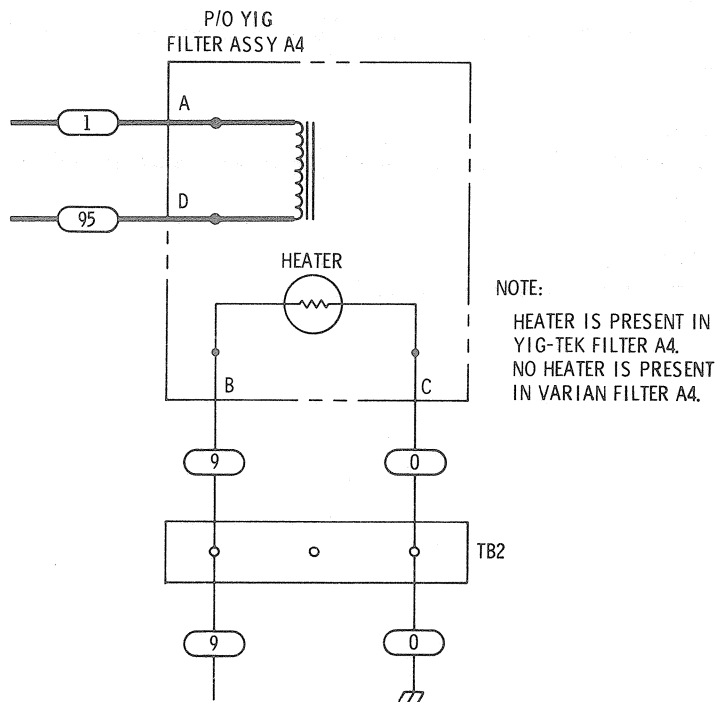


Figure 3. Partial Schematic of Figure 8-8. (P/O Change 2)

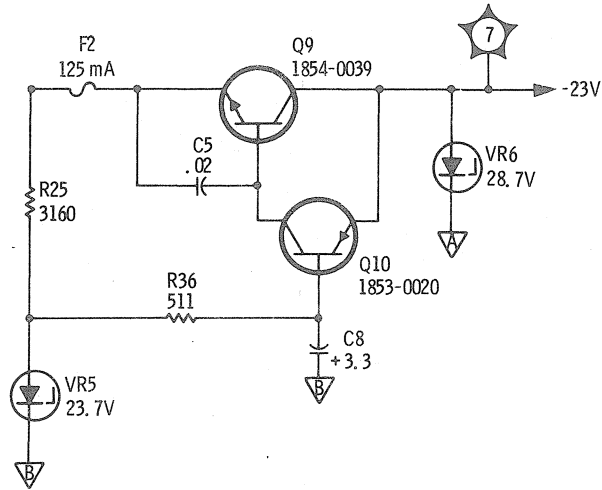


Figure 4. Partial Schematic of Figure 8-10. (P/O Change 5)

Faint, illegible text in the upper middle section of the page.

A single line of faint, illegible text located in the middle of the page.